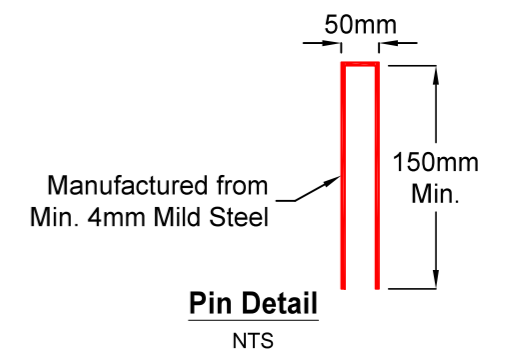
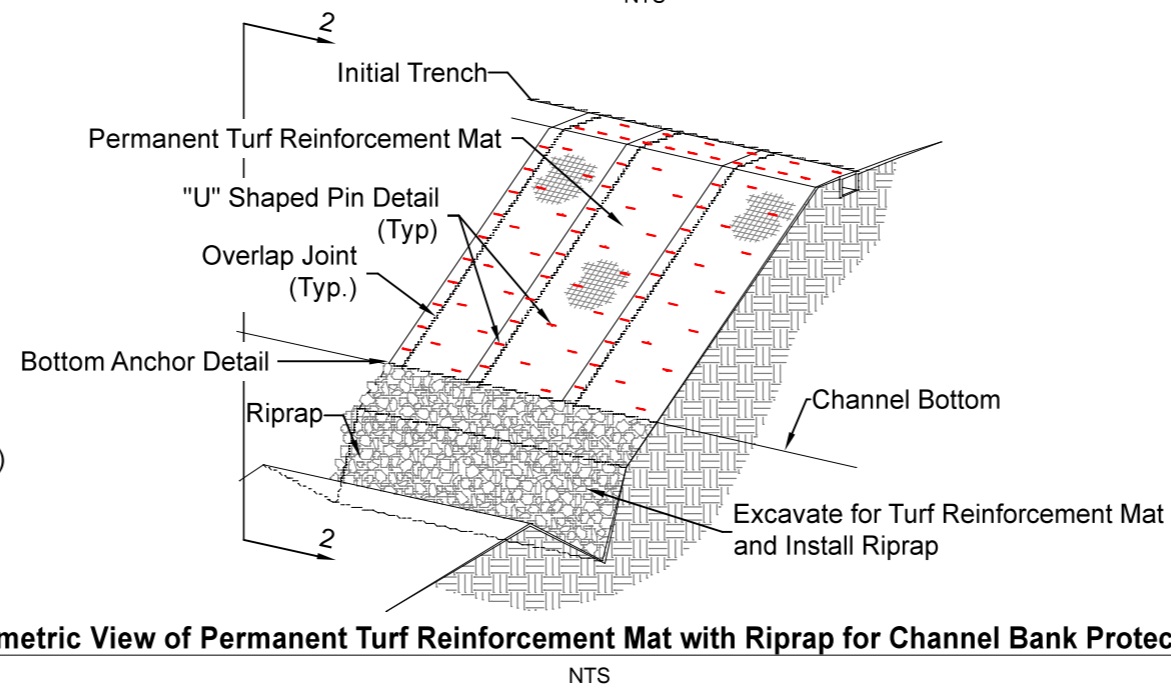
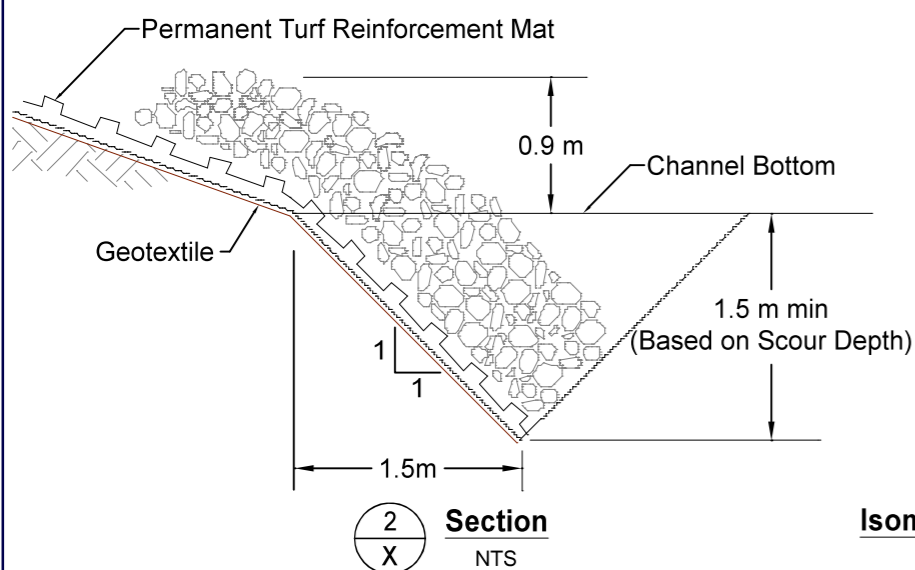
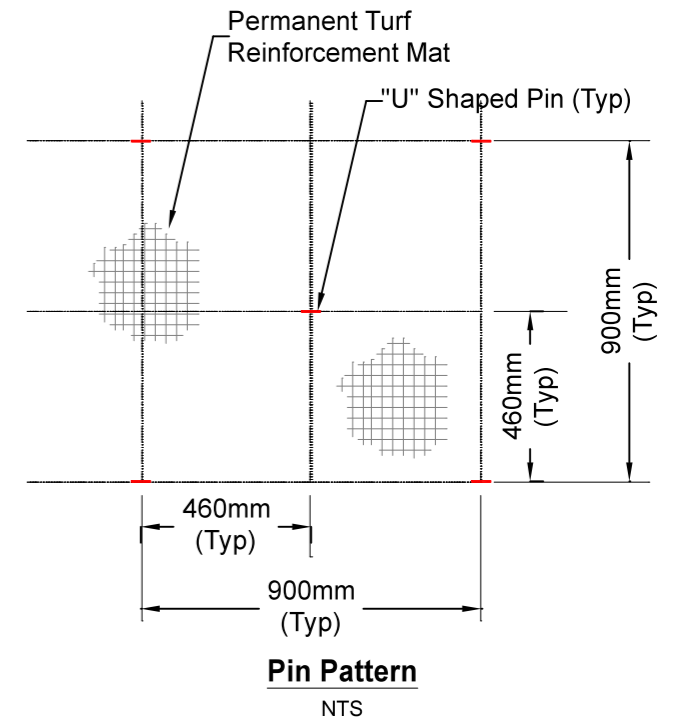
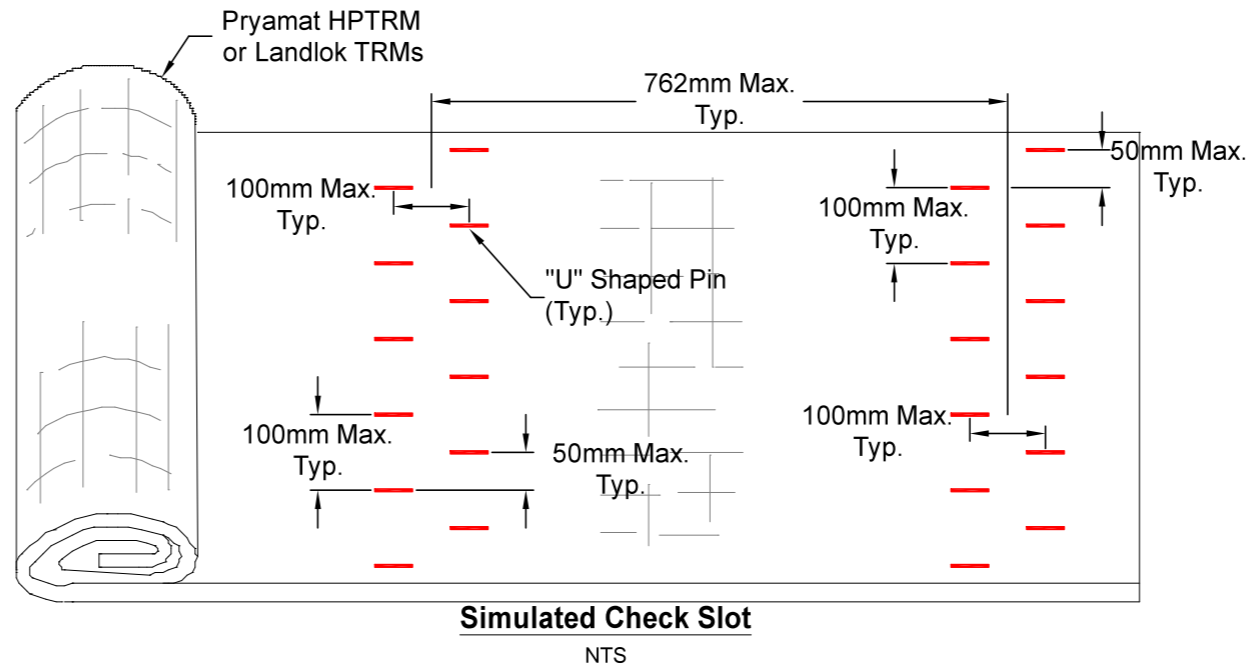
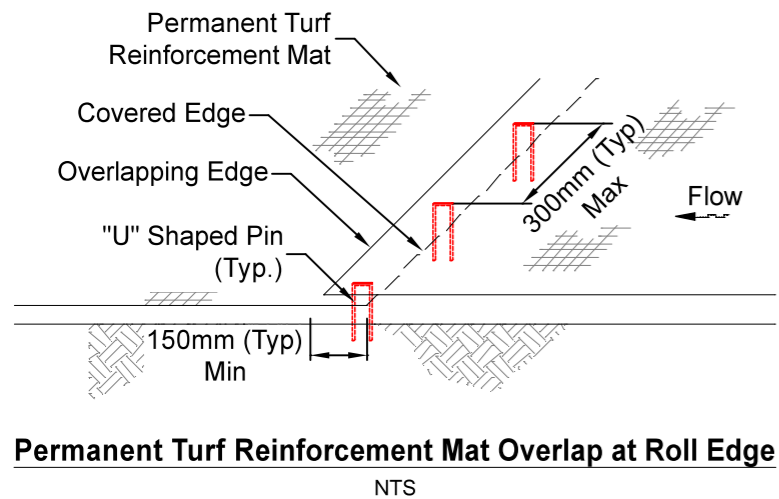
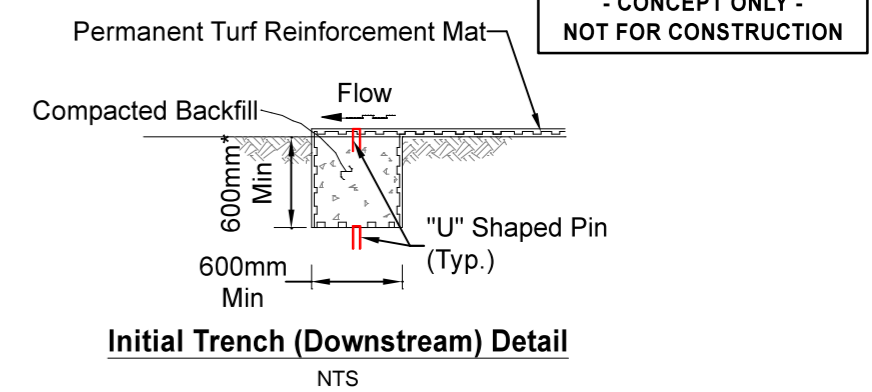
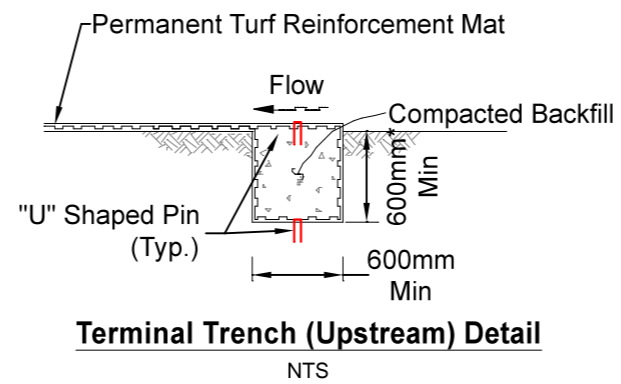
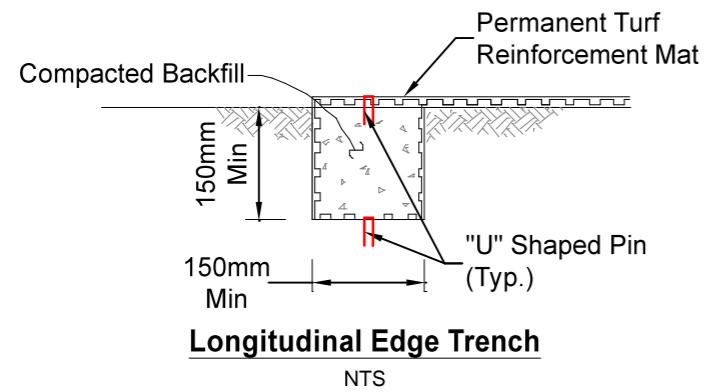


- Note:
1. Dimension should be designed on scour potential of channel.
  2. Pins are U pins with a minimum 150mm leg length.
  3. Pins are manufactured from minimum 4mm mild steel.
  4. Longer pins may be necessary to resist pull out for loose soil conditions.



<b>Drawing Title:</b> Turf Reinforcement Mat with Rock - Channel				<b>Project Title:</b> Global Erosion Drawings	
<b>Scale (A3):</b> NTS				<b>Project No.:</b> Global_XXX	<b>Client:</b>
<b>Designed:</b> XX	<b>Drawn:</b> XX	<b>Approved:</b> XX	<b>Drawing No.:</b> Global_XXX		
XX/XX/XXX	XX/XX/XXX	XX/XX/XXX	<b>Revision No.:</b> REV.0		



- Note:
1. Dimension should be designed on scour potential of channel.
  2. Pins are U pins with a minimum 150mm leg length.
  3. Pins are manufactured from minimum 4mm mild steel.
  4. Longer pins may be necessary to resist pull out for loose soil conditions.



**Drawing Title:**  
Turf Reinforcement Mat with Riprap - Channel

**Scale (A3):** NTS

Designed: Drawn: Approved:

XX XX XX

XX/XX/XXX XX/XX/XXX XX/XX/XXX

**Project No:** Global\_XXX

**Drawing No:** Global\_XXX

**Revision No:** REV.0

**Project Title:**

Global Erosion Drawings

**Client:**