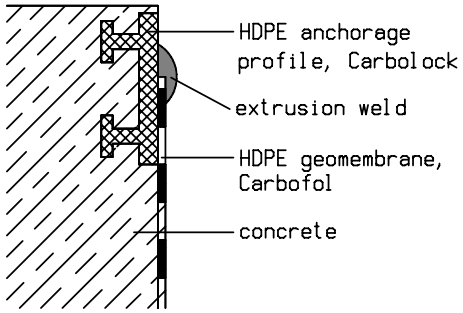
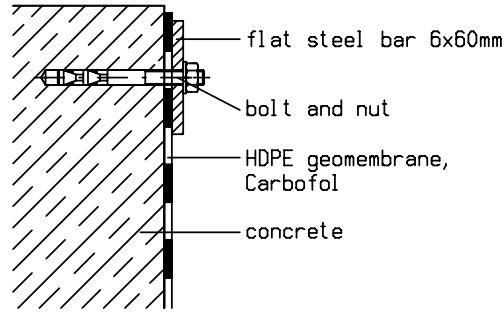


Detail "A 1"



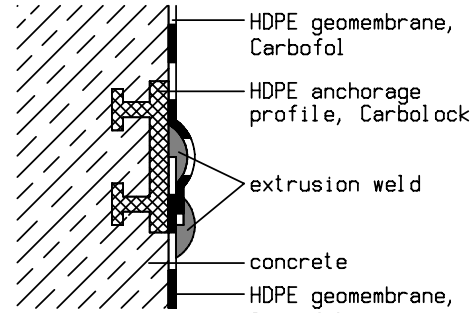
new construction

Detail "A 2"



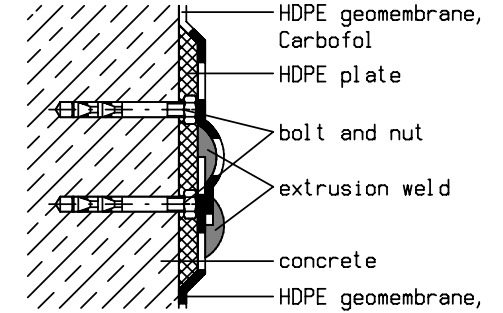
new construction / rehabilitation

Detail "B 1"



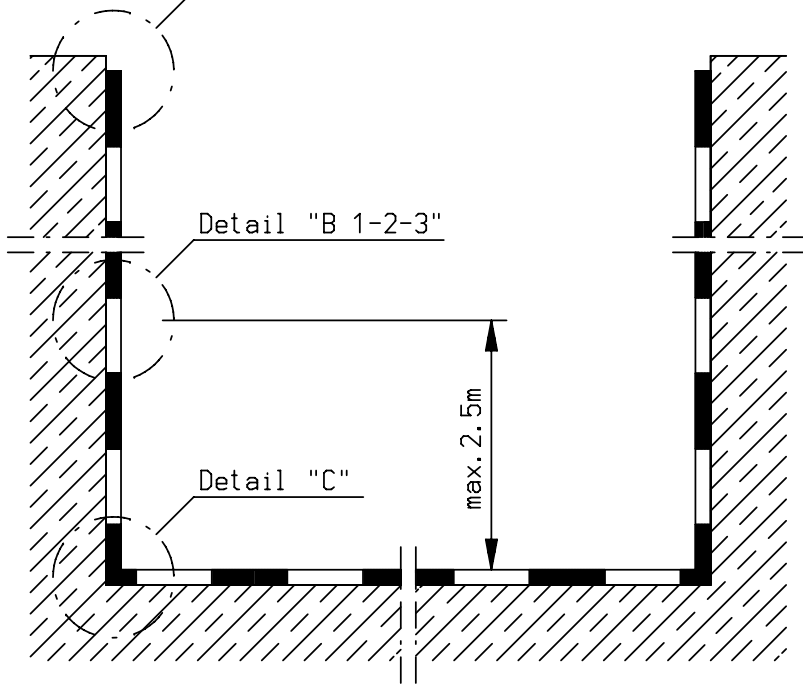
new construction

Detail "B 2"

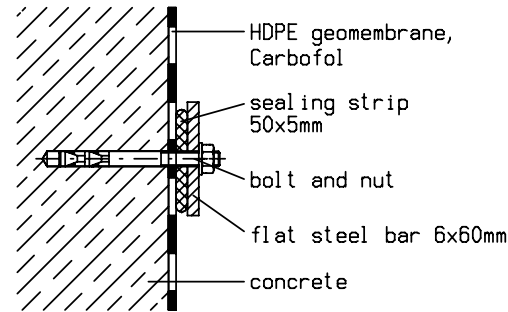


rehabilitation

Detail "A 1-2"

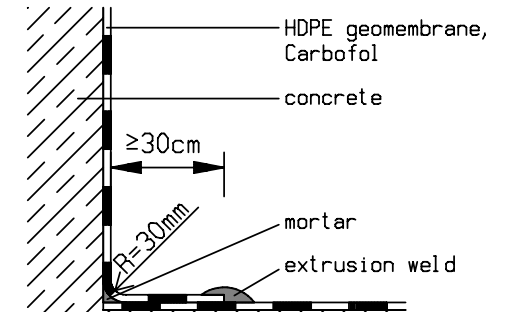


Detail "B 3"



new construction / rehabilitation

Detail "C"



new construction / rehabilitation

Note: The concrete surface must be even and smooth. The horizontal distances between the fixing system must not exceed 2.5m.